

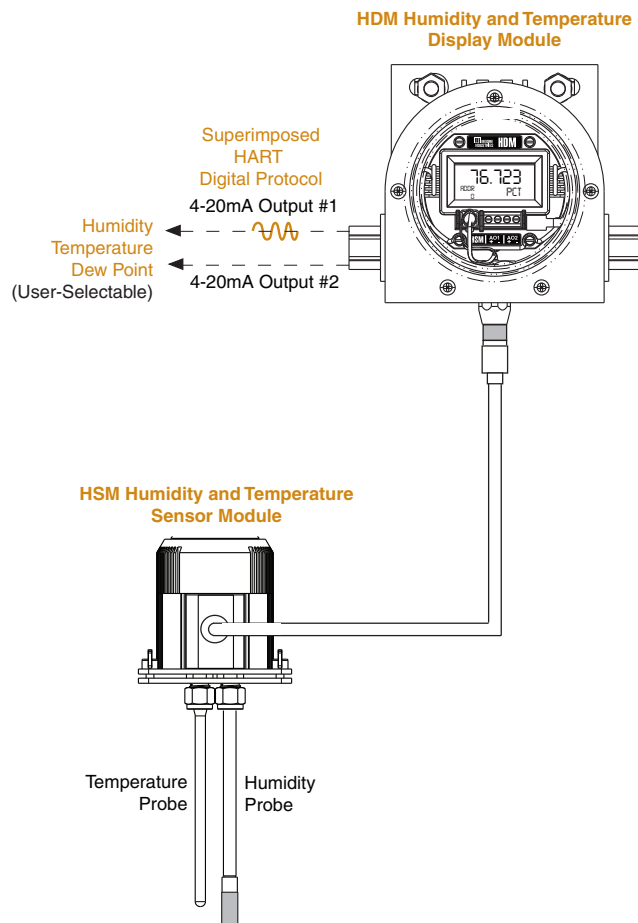
July 2008

## Description

The HTZ Smart HART® Transmitter simultaneously measures humidity and temperature in industrial, commercial, manufacturing, and HVAC applications. Based on the humidity and temperature values, the HTZ also provides a dew point measurement as a calculated variable.

The 2-wire (loop-powered) HTZ features dual isolated and scalable 4-20mA outputs proportional to two of the following (user-selectable): relative humidity (RH), ambient temperature or dew point calculation. The analog output signals are ready for direct interface with HART or non-HART based DCS, PLC and other computer-based systems.

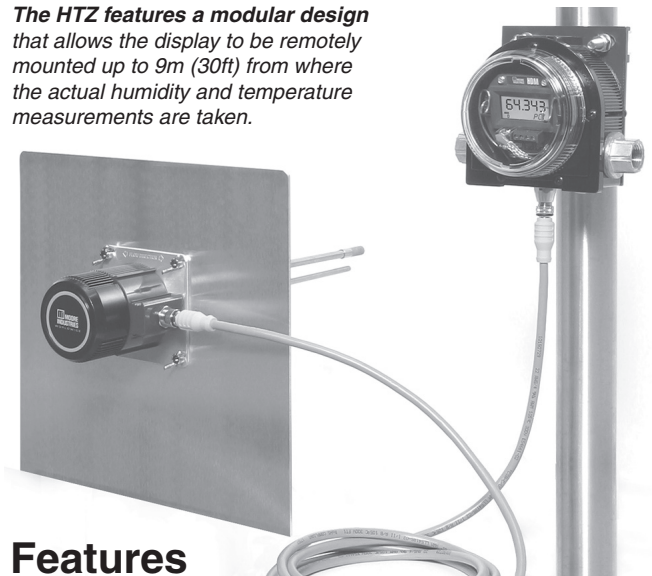
**Figure 1.** The HTZ consists of two components: The HSM Humidity and Temperature Sensor Module and the HDM Humidity and Temperature Display Module.



**CE** CE Conformant – EMC Directive 89/336/EEC  
EN 61326

All product names are registered trademarks of their respective companies.  
HART is a registered trademark of the HART Communication Foundation.

*The HTZ features a modular design that allows the display to be remotely mounted up to 9m (30ft) from where the actual humidity and temperature measurements are taken.*



## Features

- **The HTZ delivers exceptional measurement accuracy.** The HTZ's high accuracy humidity, temperature and dew point measurements make it ideal for precision applications.
- **Versatile programming options allow set up with a HART Communicator, a HART-based system or a PC** on-site or from any point (with HART communications) on the 4-20mA wires of Analog Output #1.
- **Simple maintenance is provided** by humidity and temperature probes, as well as a RH sensor itself, that can be quickly removed for cleaning or replacement.
- **Set input failure mode**, using the Intelligent Configuration Software, for each 4-20mA output to drive upscale, downscale or hold the last value, should there be a sensor failure, or if the cable between the modules is disconnected.
- **FREE PC Configuration Software and Cable** are provided with each order.
- **The HDM display module shows** real-time status of relative humidity, temperature, dew point, analog output #1, analog output #2 or scrolls between all variables in four second intervals.
- **A wide ambient temperature operating range** of -40°C to +85°C (-40°F to +185°F) allows installation in most all environments, indoors and outdoors.

# HTZ

## Smart HART® Humidity and Temperature Transmitter

### Modular and Flexible Design

The HTZ Smart HART® Humidity and Temperature Transmitter consists of two components connected by a cable:

#### HSM Humidity and Temperature Sensor Module

Designed to mount on a surface (such as in duct ventilation systems) at the measurement site, the HSM has temperature and humidity probes that accurately collect and transmit real-time ambient conditions to the HDM Humidity and Temperature Display Module. Both probes can be removed for service and/or replacement. In addition, the RH sensor itself can be removed for replacement by unscrewing a removable, sintered filter at the end of the probe. The HSM comes in a rugged, NEMA 4X (IP66) enclosure that can be safely mounted outdoors and in wash-down areas.

#### HDM Humidity and Temperature Display Module

The surface-mount or pipe-mount HDM can be installed at the measurement point, or as far away as 9 meters (30ft) from the HSM. The HDM features a programmable display that can be set to indicate humidity, temperature, dew point, analog (current) output #1, analog (current) output #2, or scroll between the five values at four second intervals. A custom engineering unit (EGU) can also be assigned to the displayed temperature variable.

The HDM provides two loop-powered, isolated 4-20mA signals. Each output can be programmed to represent relative humidity, temperature or dew point.

**Selectable Input Failure Mode**—Each 4-20mA output can be set to drive upscale (selectable between 20.0-23.6mA), downscale (selectable between 3.6-4.0mA) or hold the last value should there be a sensor failure or if the cable between the HSM and HDM is disconnected.

The HDM comes in a field-mount, NEMA 4X (IP66) enclosure that can be mounted outdoors and in wash-down areas.

#### Connection Cable

The HSM connects to the HDM via a quick-connect IP66 cable that is available in 3m (10ft), a 6m (20ft) or 9m (30ft) lengths.

Figure 2. HSM Humidity and Temperature Sensor Module.

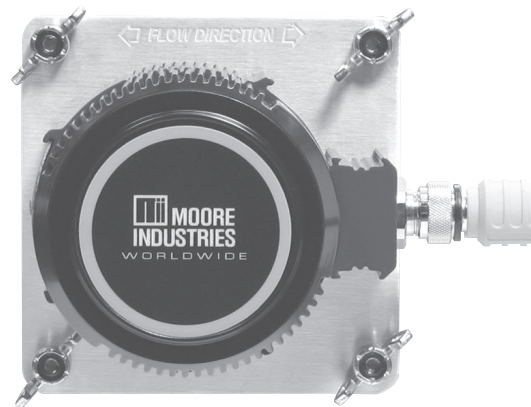
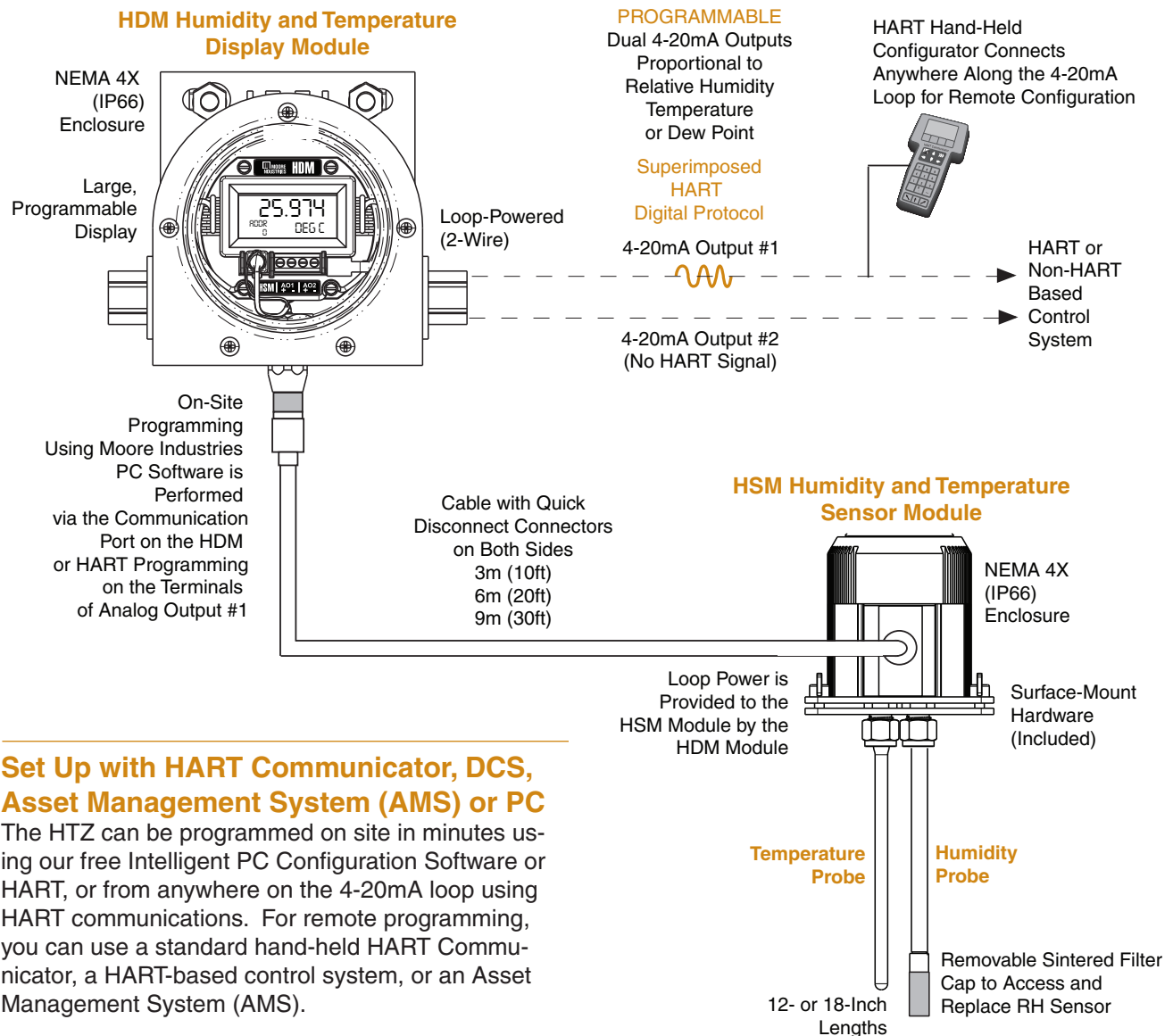


Figure 3. HDM Humidity and Temperature Display Module.



**Figure 4.** The HTZ Smart HART Humidity and Temperature Transmitter programs to provides dual 4-20mA signals proportional to relative humidity, temperature or dew point (user-selectable).



## Set Up with HART Communicator, DCS, Asset Management System (AMS) or PC

The HTZ can be programmed on site in minutes using our free Intelligent PC Configuration Software or HART, or from anywhere on the 4-20mA loop using HART communications. For remote programming, you can use a standard hand-held HART Communicator, a HART-based control system, or an Asset Management System (AMS).

## HTZ Device Description (DD)

Moore Industries' HTZ Device Description (DD) is the device-specific programming information that is loaded into a standard HART Communicator. It allows access to all of the unit's programming functions.

## How to Determine if Your HART Communicator Has a HTZ Device Description

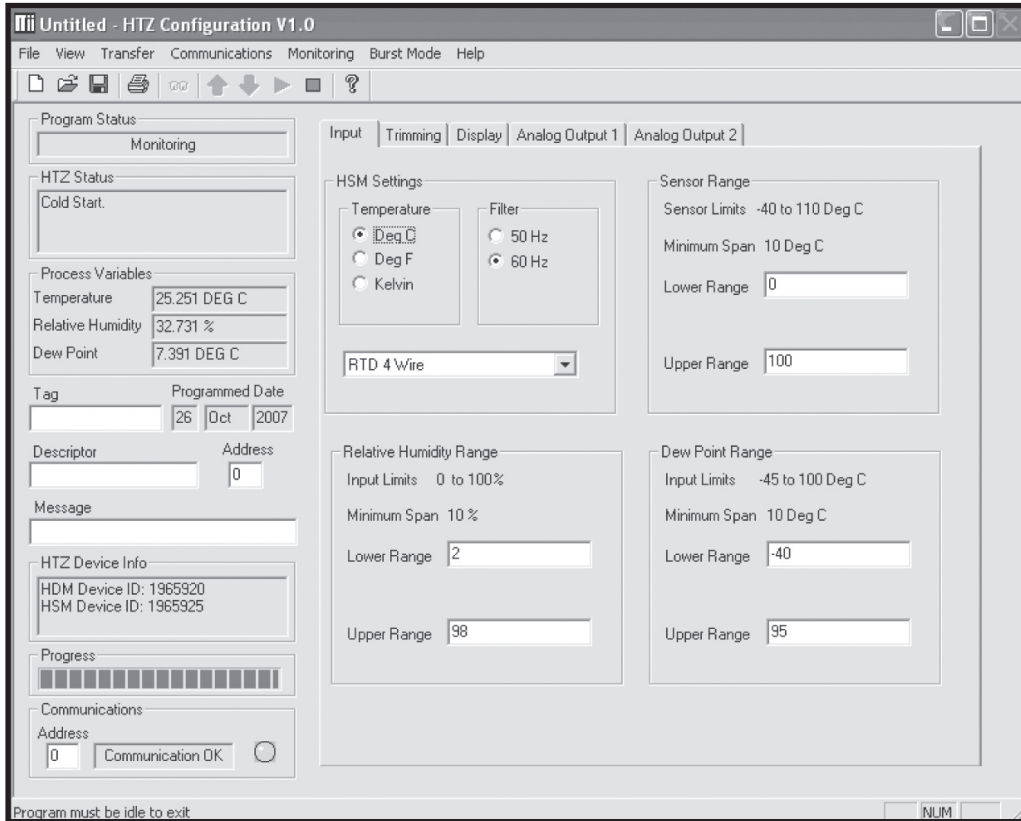
Hand-held HART Communicators typically feature a list of companies in a DD library. The Moore Industries HTZ will appear if you have the proper DD installed. If the hand-held does not have the proper DD, contact the Moore Industries Interface Solution

Center nearest you. If you are using a Emerson Process Management Model 375 HART Communicator, the DD can be found on the configuration tools CD that comes free with the HTZ, or you may download the latest HTZ DD from our web site at: [www.miinet.com](http://www.miinet.com)

## Also Programs with the Generic HART DD

Even if your communicator is not up to date, most of the important programming features can be accessed without the HTZ DD by using the "Generic" HART DD available on HART Communicators.

## One Window. One Minute. One Set Up.



### FREE Intelligent PC Configuration Software with Versatile Programming Options

Our FREE Intelligent PC Configuration Software and Interface Cable allow you to set up all transmitter settings from one PC window, in about one minute.

For programming from any access point on the loop, a HART-to-RS232 Smart Interface Cable (modem) can be purchased separately (see Ordering Information for details) to access the HTZ programming options. The HART modem can also be connected directly to the transmitter.

Once a configuration is created, it can be downloaded to multiple transmitters. The HTZ software also lets you save, E-mail, and print copies for documentation purposes. Just a few of the time saving and performance enhancing features include:

**Set Up Safeguards**—It is nearly impossible to make incompatible configuration selections.

### Transmitter/Configuration Auto Recognition—

The program software automatically recognizes the transmitter model and its configuration parameters.

### Toolbar for Frequently Used Commands—

A conveniently located toolbar provides quick access to often used configuration functions.

**Real-Time Process Readout**—The process measurement and the communication status between the transmitter and PC is continually shown on the software window.

**Precise Digital Output Trimming**—This essentially eliminates the impact of measurement errors introduced by inaccurate readout devices.

**Selectable Under Range, Over Range and Sensor Failure Values**—By setting different default values for each condition, you can distinguish between the failure modes when they occur.

**Store and Print Files**—The configuration record you've created may be downloaded to any number of transmitters, stored for recordkeeping or printed.

## Specifications

**Performance Humidity Input**  
**Measurement Range:**  
 0-100% RH  
**Accuracy\*:** ±1.8% RH  
 between 20-80% RH;  
 ±2-3% below 20% RH and  
 above 80% RH;  
 Trimming: ±0.75% RH  
 plus relative humidity  
 test chamber accuracy  
 between 20-80% RH after  
 trimming via Intelligent PC  
 Configuration Software  
**Ambient Temperature**  
**Effect:** 0.005%/°C  
**Long Term Stability:** ±1%  
 RH/year  
**Response Time:** 10  
 seconds to 90% of final  
 value on a step input  
 change @25°C, 1m/s air  
**Temperature Input**  
**Measurement Range:**  
 -40°C to +110°C  
 (-40°F to +230°F)  
**Accuracy\*:** ±0.1°C nominal;  
 ±0.036°C at trim points (with  
 -VTB calibration option)  
**Ambient Temperature**  
**Effect:** 0.003°C/°C  
**Long Term Stability:**  
 1 year: 0.1°C  
 3 years: 0.17°C  
 5 years: 0.24°C  
**Response Time:** 200msec  
 maximum for the output to  
 change from 10% to 90%  
 of its scale for an input step  
 change of 0%  
 to 100%  
**Dewpoint**  
**Range:** -45°C to +100°C  
 (-49°F to +212°F)  
 (calculated from  
 temperature and RH inputs)  
**Accuracy\*:** Typical @25°C,  
 ±0.5°C between 40-95%  
 RH; ±1-2°C between 10-  
 40% RH

**Performance Ambient Temperature**  
**(continued) Effect:** 0.005°C/°C  
**Long Term Stability:**  
 ± 0.5°C RMS over 1 year  
**Response Time:**  
 10 seconds to 90% of final  
 value  
**Dew Point Calculation:**  
 EW \* RH / 100 (refer to  
 Equation 1 for explanation)  
**Analog Output**  
**Output Range:** 4-20mA  
**Linear Region:**  
 3.8-21.4mA  
**Hardware Limits:**  
 3.6-23.6mA  
**Accuracy:** ±2 microamps  
**Ambient Temperature**  
**Effect:** 0.009% of span  
 (16mA)/°C  
**Long-Term Stability:**  
 1 year: 0.012%  
 3 years: 0.020%  
 5 years: 0.026%  
**Rise Time:** 100msec  
 maximum for the output to  
 change from 10% to 90% of  
 its scale for a step change  
 of the sourcing variable of  
 0% to 100%  
**Damping:** User-set  
 between 0-30 seconds  
**Power Supply**  
**Requirements:** 12-42Vdc  
 at output terminals  
**Power Supply Effect:**  
 ±0.002 of span per 1V  
 change  
**Load Effect:** Negligible  
 within specified power limits  
**Load Capability:**  
 (500 ohms@24V)  
 $\frac{\text{Supply Voltage} - 12V}{0.024A} = \text{Ohms}$   
**Ripple:** 10mVpp,  
 frequencies up to 120Hz,  
 measured across a 250  
 ohm load resistor

**Performance Start up Time:** <5sec  
**(continued)** (trimming disabled)  
**Isolation:** 500Vac between  
 each output and between  
 outputs and case  
**Overall Accuracy:** Sum of  
 input and output accuracy,  
 ambient temperature effect  
 and long term stability  
**Overall Response Time:**  
 500msec from step input until  
 the analog output reaches  
 90% of its final value (RTD  
 response time excluded)

**Ambient Operating and Storage**  
**Conditions Range:**  
 -40°C to +85°C  
 (-40°F to +185°F)  
**Relative Humidity:**  
 0-95% relative humidity,  
 non-condensing  
**RFI/EMI Protection:**  
 20V/m@80-1000MHz, 1kHz  
 AM, when tested to IEC61326,  
 1998

**Adjustments** All adjustments made using  
 Moore Industries' Intelligent  
 PC Configuration Software or  
 HART-enabled hand-held  
 or host

**Indicators LCD:** 2x5 14-segment  
 characters, alphanumeric  
 readout accurate to the  
 nearest digit.  
**Range:** -99999 to 99999;  
 Decimal point can be  
 user-set

**Weight HDM:** 918g (32.4 oz)  
**HSM:** 601g (21.2 oz)  
**Cable, 3m:** 250g (8.8 oz)  
**Cable, 6m:** 454g (1.0 lbs)

\* High accuracy relative humidity measurements are achieved within a RH range of 20-80% using the trimming feature of Moore Industries' Intelligent PC Configuration Software in a relative humidity test chamber. High accuracy temperature measurements are achieved using the trimming feature of the Intelligent PC Configuration Software with the temperature sensor immersed in a temperature calibration bath (Sensor-to-Transmitter matching factory calibration; See the -VTB option under "Sensor Length/Calibration" in Ordering Information). High accuracy dew point measurements are achieved using the trimming feature of the Intelligent PC Configuration Software at 25°C, between 40-90% RH. Stated accuracies do not include ambient temperature effects.

### Equation 1. Dew Point Calculation

$EW = 10^{\wedge} (0.66077 + (7.5 * T / (237.3 + T)))$  ← This is the saturation vapor pressure over water

$EW\_RH = EW * RH / 100$  ← Multiply EW with RH

Dew Point (Dp)= ( (0.66077 – log10 (EW\_RH) ) \* 237.3) / (log10 (EW\_RH) – 8.16077)



## Ordering Information

**IMPORTANT:** Specify **ONE** HSM Humidity and Temperature Sensor Module and **ONE** HDM Humidity and Temperature Display Module for each HTZ system. HSM and HDM modules cannot be used independently of one another, but can be ordered separately as replacement modules.

| Unit   | Input   | Output  | Power   | Sensor Length/Calibration  | Housing  |
|--|---|---|---|--|--|
| <b>HSM</b><br>Humidity and Temperature Sensing Module<br><br><b>(One HSM is required per installation)</b> | <b>PT-RH</b><br>One Temperature (RTD) input and one Relative Humidity input | <b>HDM</b><br>Signal outputs to the HDM Smart HART Display Module | <b>HDM</b><br>Loop-power supplied by the HDM Module | <b>-CL12</b> (either -CL12 or -CL18 is required) 12-inch temperature (RTD) and RH probes<br><b>-CL18</b> (either -CL12 or -CL18 is required) 18-inch temperature (RTD) and RH probes<br><b>-VTB</b> Factory temperature sensor calibration using Sensor-to-Transmitter Trimming with NIST traceable test report; available customer-specified ranges: -40°C to +110°C (-40°F to +230°F); default, 50-100°F | <b>LH3P</b><br>Surface or pipe-mount enclosure (NEMA 4X, IP66) includes 2-inch pipe-mount hardware<br><b>LH3Z</b><br>Surface or duct-mount enclosure (NEMA 4X, IP66) |

**To order, specify:**

Unit / Input / Output / Power / Sensor Length/Calibration [Housing]

**Model Number Example:**

HSM / PT-RH / HDM / HDM / -CL12 -VTB [LH3Z]

| Unit   | Input  | Output   | Power          | Cable Length   | Housing   |
|--|--|--|----------------|--|---|
| <b>HDM</b><br>Humidity and Temperature Display Module<br><br><b>(One HDM is required per installation)</b> | <b>HSM</b><br>Signal input from the HSM Module | <b>2X4-20MA</b><br>Dual isolated, scaleable 4-20mA outputs user-selectable for two of the following: Relative Humidity Temperature Dew Point | <b>12-42DC</b> | <b>-3M</b><br>3m (10ft) connection cable<br><b>-6M</b><br>6m (20ft) connection cable<br><b>-9M</b><br>9m (30ft) connection cable | <b>D3LCP</b> Surface/pipe-mount enclosure (NEMA 4X, IP66) includes 2-inch pipe-mount hardware |

**To order, specify:**

Unit / Input / Output / Power / Connection Cable Length [Housing]

**Model Number Example:**

HDM / HSM / 2X4-20MA / 12-42DC / -3M [D3LCP]

### Everything You Need is Included

Each HTZ order comes with one copy of our Intelligent PC Configuration Software (Windows® compatible) and a configuration cable. Use the following information to order additional parts:

#### Replacement Parts and Accessories:

|   |
|---|
| P/N 238-201-04*—Temperature (RTD) Probe (12-Inch)   |
| P/N 238-201-24*—Temperature (RTD) Probe (18-Inch)   |
| P/N 238-201-06*—Humidity Probe (12-Inch)  |
| P/N 238-201-26*—Humidity Probe (18-Inch)  |
| P/N 801-880-75—Humidity Sensor (SHT75)  |
| P/N 208-202-20—Replacement HDM Electronics, Display in HP (Hockey-Puck) Housing with Spring Clips |
| P/N 803-847-26—Replacement 3m (10ft) Connection Cable   |
| P/N 803-862-26—Replacement 6m (20ft) Connection Cable   |
| P/N 803-863-26—Replacement 9m (30ft) Connection Cable   |

\* Return to the Factory for replacement and recalibration.

#### Programming Accessories:

P/N 750-75E05-01—Interface Solution PC Configuration Software on CD (one copy comes free with each order)

P/N 803-040-26—Non-Isolated PC Configuration Cable (one comes free with each order)

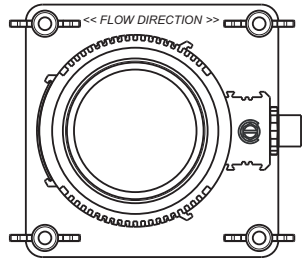
P/N 803-039-26—Isolated PC Configuration Cable

P/N 235-829-02—PC-Programming Kit includes one copy of our Intelligent PC Configuration Software and one HART-to-RS232 Cable with HART modem

P/N 803-048-26—HART-to-RS232 Smart Interface Cable with HART Modem

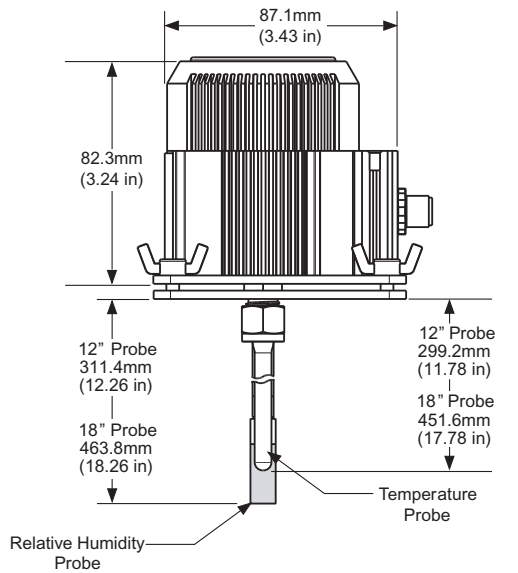
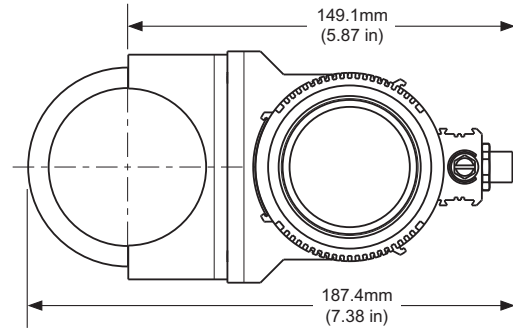
Figure 5. HSM Humidity and Temperature Sensor Module Dimensions.

### LH3Z Housing



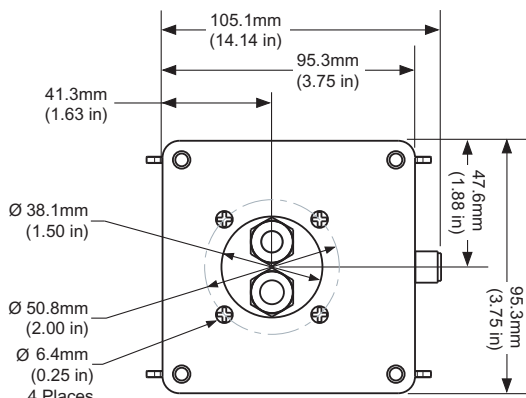
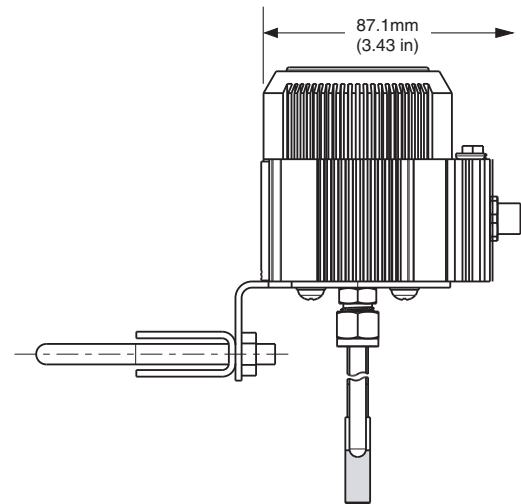
Back Plate

### LH3P Housing

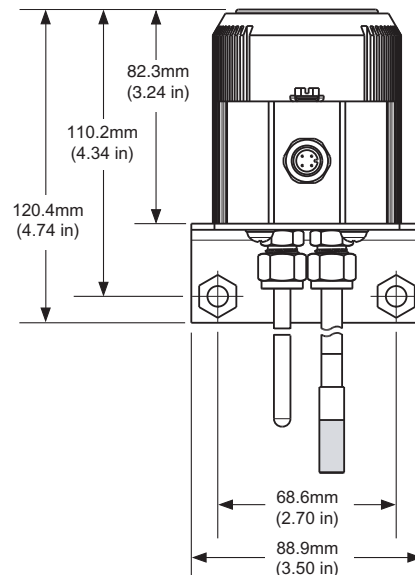


Relative Humidity Probe

Temperature Probe



Z Plate



# HTZ

## Smart HART® Humidity and Temperature Transmitter

Figure 6. HDM Humidity and Temperature Display Module Dimensions.

